

Specifications

Flood Light FL4A Series



Features

- Modular pluggable technology, easy-tool onsite maintenance;
- Constant current output, safety of high-power LED application assured;
- Ergonomic light distribution to achieve even illuminating effect;
- Free serialization and various power solutions.

Applications

- Football field, golf course, airport, wall wash, cross road ...



Contents

Special Technical Advantages of HPWINNER Modular Lights.....3

Electrical and Photometric Specification.....4

Mechanical and Environmental Specification.....4

Light Distribution.....4

Dimensions.....4

Ordering Information.....4



Special Technical Advantages of HPWINNER Modular Lights

 <p>Honeycomb Briquette effect It simulates and adopts the burning principle of honeycomb briquette; it is easy to transform the original block of radiator to various modules, as well as to enable air to convect and fully pass through the gaps between modules by utilizing the honeycomb effect, thus to remove the heat rapidly, and reduce temperature by around 20 °C.</p>	 <p>Heat dissipation of the whole structure It is available to make clever use of module bracket that only play a supporting role, and to transform it to a "thermal bracket" that is capable of conducting the module's heat to the light shell as a structural part, thus to promote the cooling effect of radiator of cooling module, the design aims to fully utilize the surface area of structural parts to transfer heat to air.</p>	 <p>Easy-tool maintenance It uses special structural design to achieve the manual disassembly and installation of lighting components, in consideration that the high-power lights are generally installed in higher operating environment, the operators require as few tools as possible for their convenience and security.</p>
 <p>Double-coupling IP68 protection It adopts the screw-free structure to avoid the penetration of water vapor through the screw hole; its double silicon-rubber rings insulate LEDs with the outside environment completely, thus to eliminate any erosion to chips and PCB boards from outside.</p>	 <p>PHILIPS LUMILEDS LUXEON TX High-Efficacy, Illumination Grade LED light source</p> <p>High-efficacy LED Light source It adopts Philips lumileds LUXEON T LED source with super efficacy and light output from a compact source. Optimized for efficacy driven applications with typical Vf: 2.7V and low thermal resistance: 3K/W. Specified, targeted and tested hot, at real world operating temperatures, Tj=85°C to ensure in- application performance.</p>	 <p>Free Serialization It is available to freely equip with different numbers of modules to achieve different powers as required.</p>

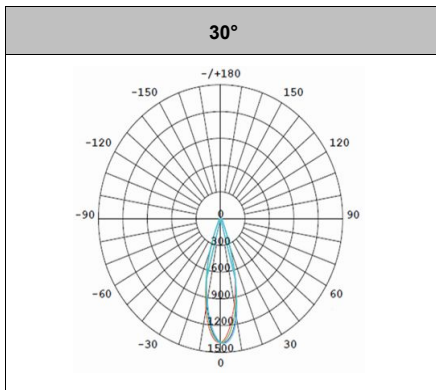
Electrical and Photometric Specification

Model	Input Voltage (V)	Driving Current (mA)	Power (W)	Luminous Efficacy (lm/W)	Flux (lm)	Power Factor	Power Efficiency	Beam Angle	LED Brand	CCT (K)	CRI
FL4A	AC100-240	700	10	85±5	850±50	0.9	88%	30°	Philips Lumileds Luxeon TX	3000,4000, 5000,5700	>70

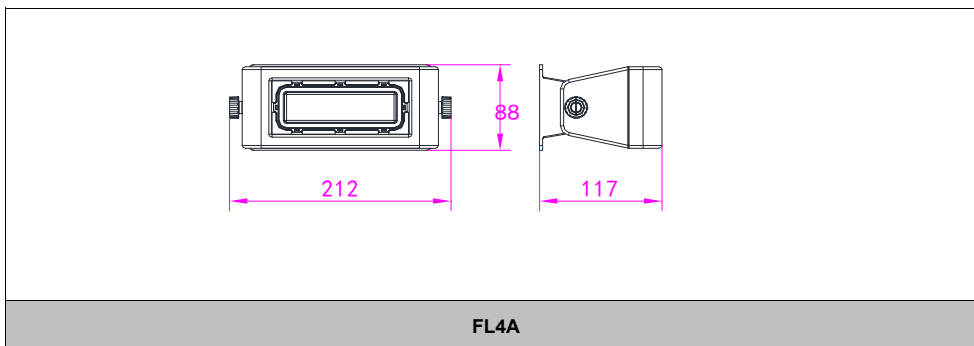
Mechanical and Environmental Specification

Model	Working Environment	Storage Temperature	Lumen Maintenance (h)	Housing Material	Surge Protection	Product Size (mm)	Packing Size (mm)	N.W (kg)	G.W (kg)
FL4A	-40℃~+50℃, 10%~90%RH	-40℃~+50℃	>50000	Aluminum Alloy	4KV/6KV	212*88*117	460*420*300	0.6	2.05

Light Distribution



Dimensions



Ordering Information

Model	Qty of modules	Watt	CCT	Colors	Beam Angle	Power Cord
FL4A	1	10W	30=3000K 40=4000K 50=5000K 57=5700K	WT=White	1=30°	A=America Standard E=European Standard U=Australia Standard O=Other requirements