

# HPWINNER

GL2A Series LED Garden Light (Ver.2.0)

## Applications

- Area lighting  
(Garden, park, courtyard...)
- Public areas lighting  
(School, residential area, pathway...)



## Standard Colors



## Features


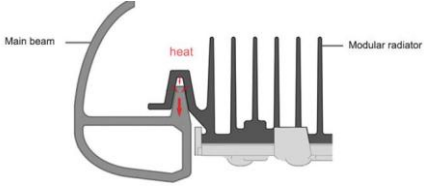

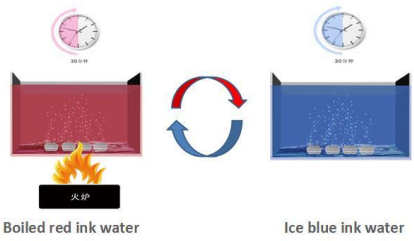


- Unique patented IP68 (highest protection level) LED light engines;
- Ergonomic and dedicated lighting distributions available for various roadway applications;
- Whole structure heating dissipation design with best thermal conduction, radiation and convection;
- Flexible to reach desired power selections by choosing appropriate light engines;
- Tool-free onsite replacements of light engines greatly reduce maintenance cost;
- Unmatched lighting performance, driver stability and desirable lifespan;
- Post top mounting  $\varnothing 60\text{mm}$ .



# HPWINNER

GL2A Series LED Garden Light (Ver.2.0)

## HPWINNER's Technical Advantages

		
<p>Air Convection Effect</p>	<p>Whole-structure Heat Dissipation</p>	<p>Tool-less Maintenance</p>
 <p>Boiled red ink water</p> <p>Ice blue ink water</p>	 <p>Extreme efficacy, best performance and compatibility</p> <p>Hot color targeted 6V QFN package delivering high flux</p> <p>The high lumen, high efficacy, multi-die single emitter committed to lowering lighting system cost</p>	
<p>Double-coupling IP68 Protection</p>	<p>High-efficacy LED Light Source</p>	<p>Flexible Combinations of Modules</p>

### Performance

#### ◇ Average efficacy option

Model	Input Voltage (V) Frequency (Hz)	Drive Current (mA)	Power (W)	M1		M8		Power Factor	Power Efficiency	LED Brand	CCT (K)	CRI
				Efficacy (lm/W)	Lumens (lm)	Efficacy (lm/W)	Lumens (lm)					
GL2A-1	AC100-240  50/60	700	40	105±5	4200±200	125±5	5000±200	0.95	88%	Lumileds	3000* 4000 5000 5700	≥70
		860	50	100±5	5000±250	120±5	6000±250					
		1050	60	95±5	5700±300	112±5	6720±300					
GL2A-2		700	80	110±5	8800±400	130±5	10400±400		91%			
		860	100	105±5	10500±500	125±5	12500±500					
		1050	120	100±5	12000±600	117±5	14040±600					

\*Efficacy of 3000K is 5% lower than other CCTs.

#### ◇ High efficacy option

Model	Input Voltage (V) Frequency (Hz)	Drive Current (mA)	Power (W)	M16 (18pcs)		M16 (28pcs)		Power Factor	Power Efficiency	LED Brand	CCT (K)	CRI
				Efficacy (lm/W)	Efficacy (lm/W)	Efficacy (lm/W)	Efficacy (lm/W)					
GL2A-1	AC100-240  50/60	800	40	145±8	5800±8	153±8	6120±320	0.95	88%	Lumileds  (customized)	3000* 4000 5000 5700	≥70
		1000	50	138±8	6900±400	147±8	7350±400					
		1200	60	130±8	7800±480	140±8	8400±480					
GL2A-2		800	80	150±8	12000±640	158±8	12640±640		91%			
		1000	100	143±8	14300±800	152±8	15200±800					
		1200	120	135±8	16200±960	145±8	17400±960					

\*Efficacy of 3000K is 5% lower than other CCTs.

### Electrical & Construction

Model	Working Environment	Storage Temperature	IP Rating	Surge Protection	LED Life Span (h)	Housing Material	Product Dimensions (mm)
GL2A	-40°C~+45°C, 10%~90%RH.	-40°C~+45°C	IP67	≥10KV	>50,000	Aluminum	475x440x520

### Warranty

5-year limited warranty is standard on luminaire and components

### Light Distributions



✧ Average efficacy option

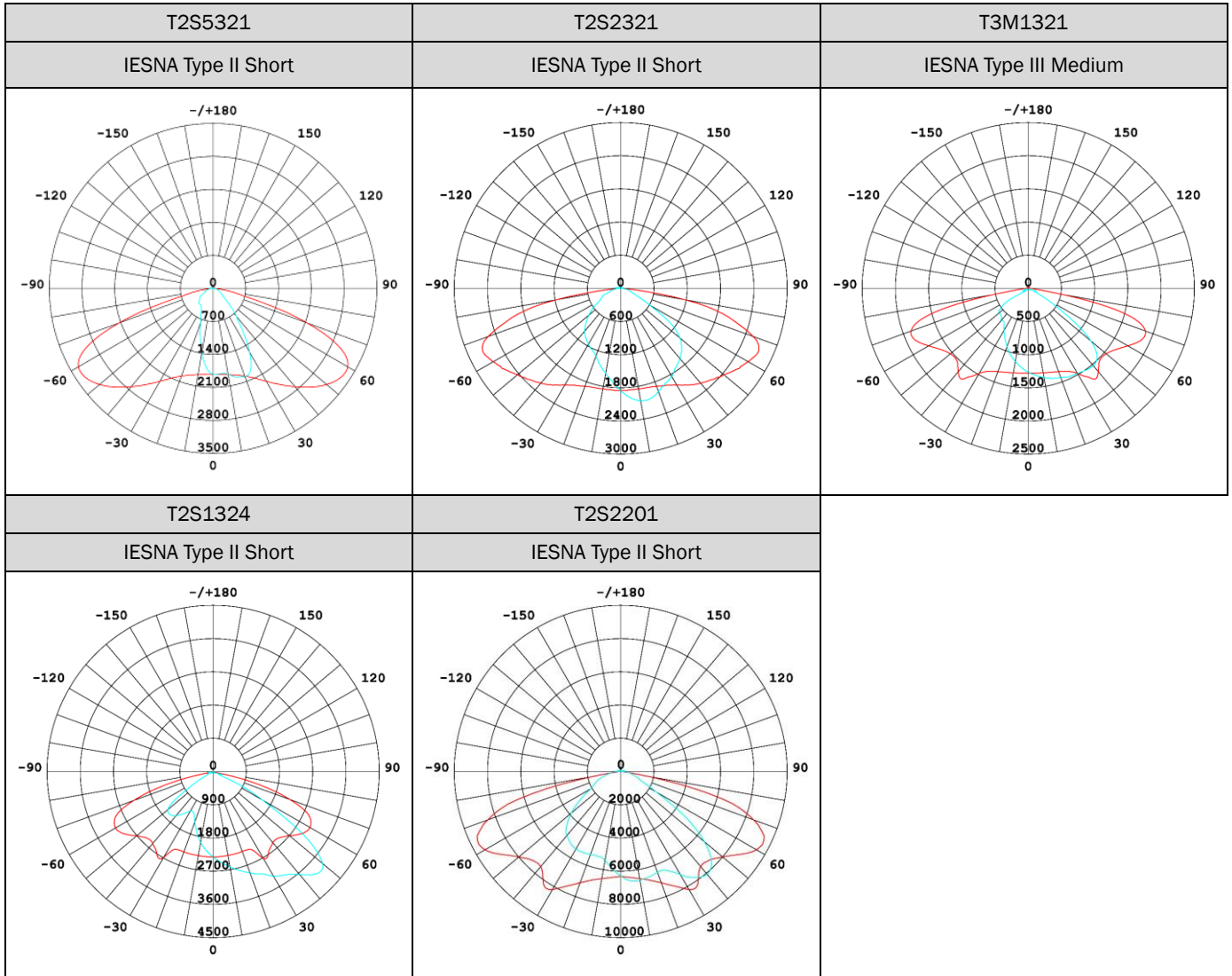
M1 Series Module

T1S1501	T1S3501	T1S3100
IESNA Type I Short	IESNA Type I Short	IESNA Type I Short
T1S1810	T2M3702	T3M3910
IESNA Type I Short	IESNA Type II Medium	IESNA Type III Medium
T3M2701	T4M5703	T5S3040
IESNA Type III Medium	IESNA Type IV Medium	IESNA Type V Square

### Light Distributions



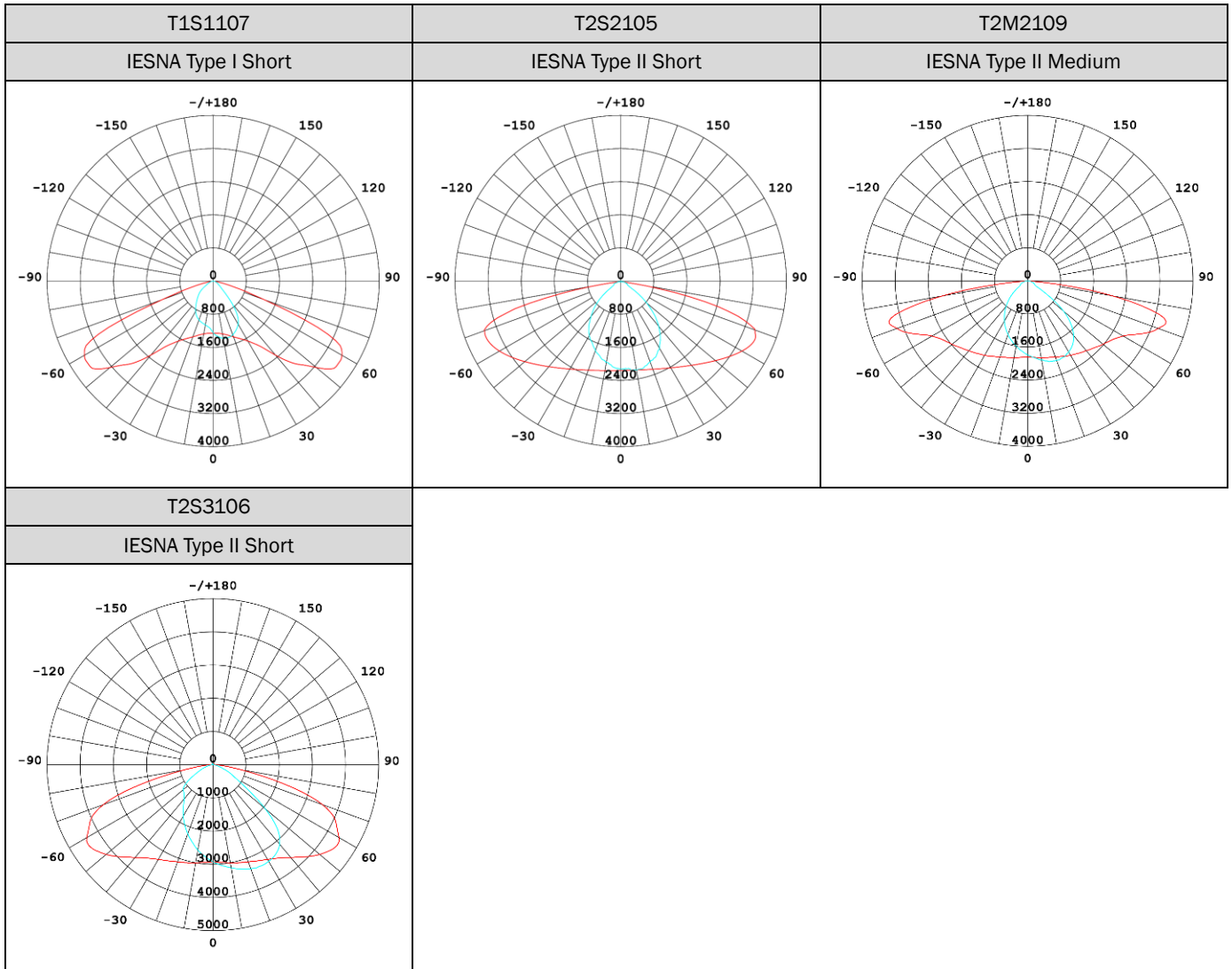
✧ Average efficacy option  
M8 Series Module



### Light Distributions



- High efficacy option  
M16 Series Module

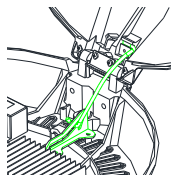




# HPWINNER

GL2A Series LED Garden Light (Ver.2.0)

## Design Features



**Anti-falling Device**  
Avoid the injury from the falling cover during installation & maintenance



Die-cast Cover

Patent IP68 rated connector

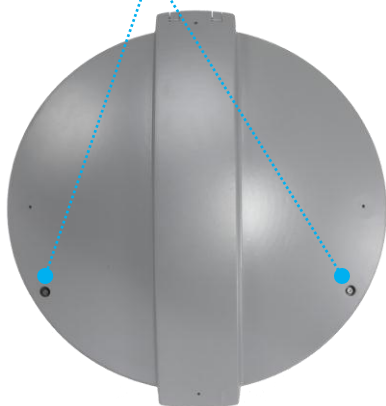
LED Driver

Die-cast Y bracket

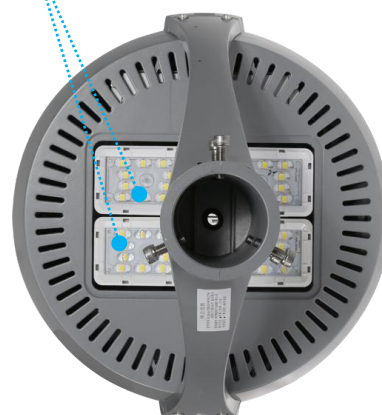
Pole diameter  $\Phi 64 \pm 4\text{mm}$   
Max. Installation depth 115mm



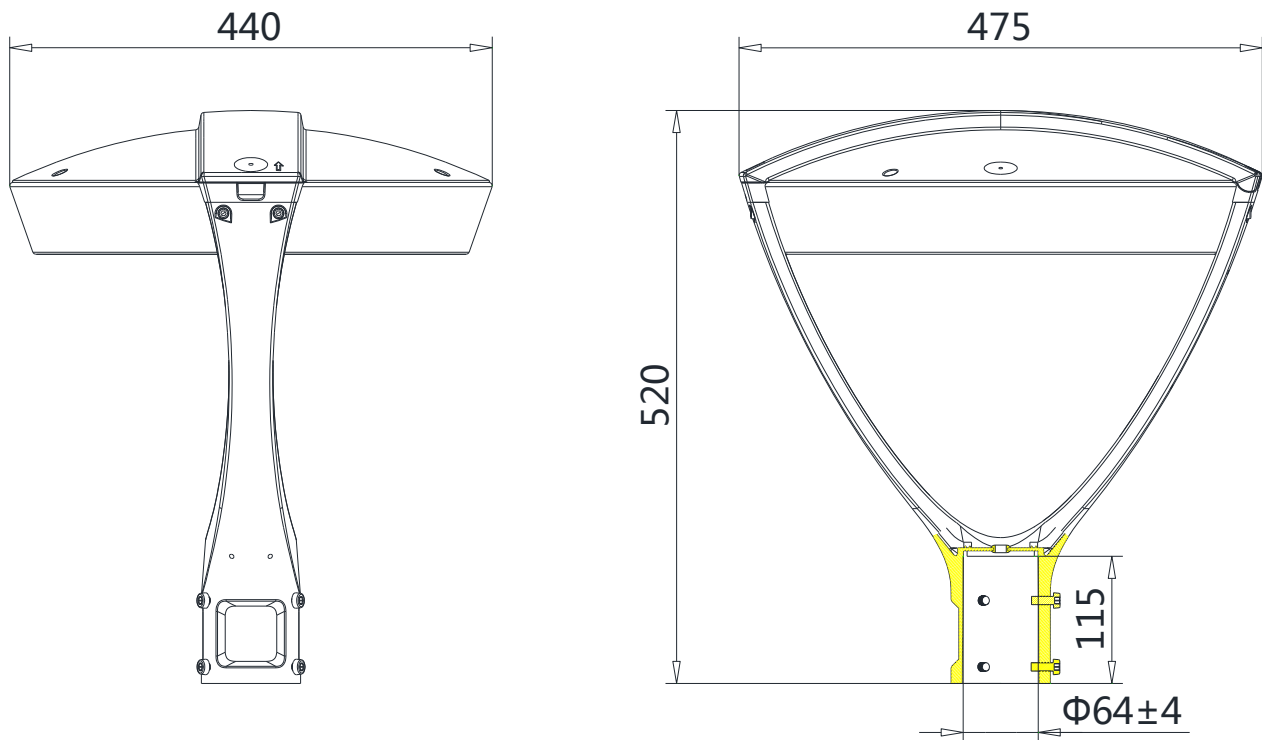
2 x Anti-falling screws  
Provide easy installation & maintenance



Patent IP68 rated LED light engine



## Dimensions



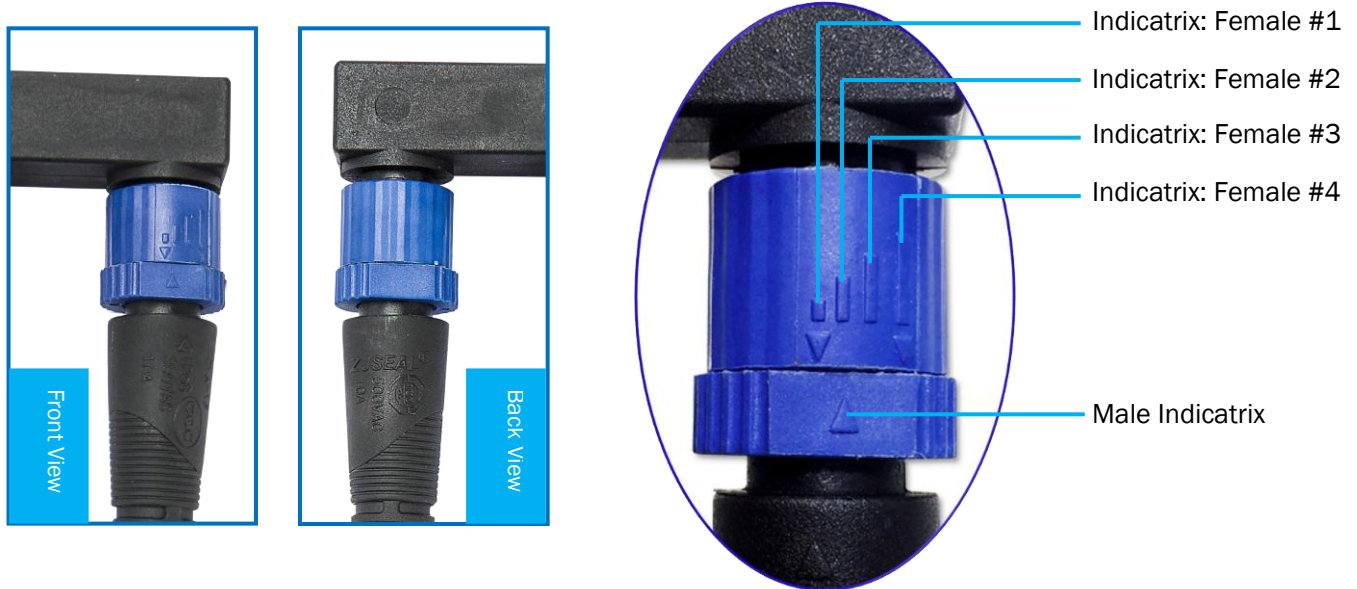


### Installation

		
<p>1. Fix the Y bracket to the luminaire with four M6x20 screws.</p>	<p>2. Put the wire through cable clip and the threading hole of Y bracket.</p>	<p>3. Tighten up the M4×12 screws on the cable clip near the threading hole.</p>
		
<p>4. Connect the electrical wire to N, L and GND wires of the AC input (make sure it grounded sufficiently).</p>	<p>5. Insert the pole to the lamp and tighten up the M8×25 screws on the mounting bracket. Installation finished.</p>	

Note: Step 1~3 are available for arm-disassembled packing only.

### Connectors Operation Guide








Spin the male terminal clockwise. When the male indicatrix points between indicatrix female #2 and #3, and the gap between male and female terminals is extremely small, the connectors are well connected; otherwise, there will be risks in its waterproof performance.

When the gap between male and female terminals is extremely small, if any looseness can be sensed, please spin the male terminal clockwise until tight.

### Maintenance

#### Driver & Electrical Parts




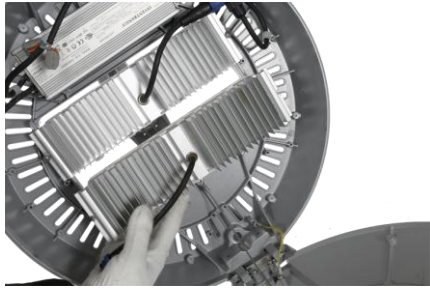

Preparatory work: Disconnect the electric supply and put the lamp on the worktable.

		
<p>1. Loosen the two anti-falling screws of the over, and then open it.</p>	<p>2. Disconnect the driver from the connector to modules.</p>	<p>3. Unscrew the screws at ends of the driver.</p>
		
<p>4. Replace the failed driver with a new one.</p>	<p>5. Close the cover. Then fasten the screws. Maintenance finished.</p>	

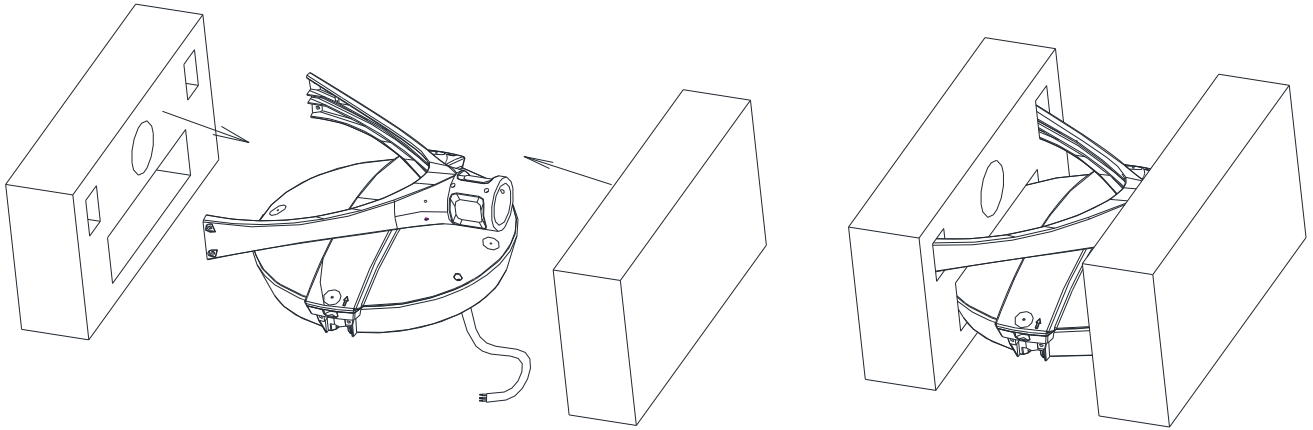
### Maintenance

#### Module

Preparatory work: Disconnect the electric supply and put the lamp on the worktable.

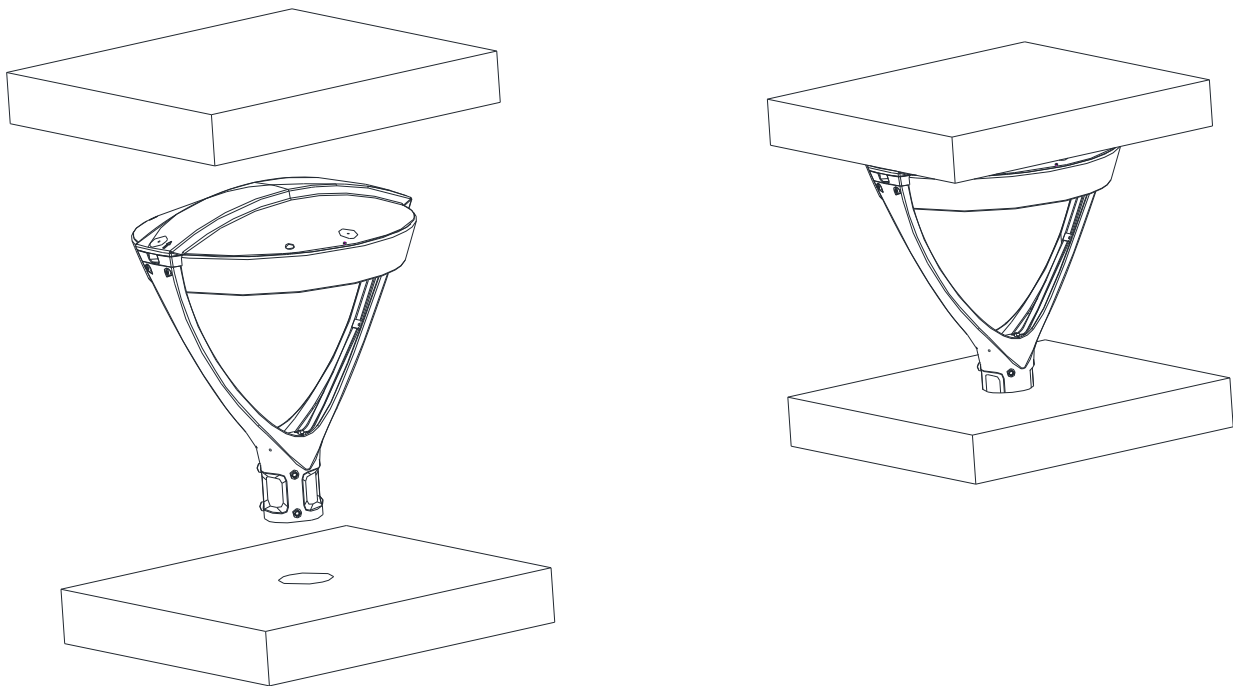
		
1. Loosen the two anti-falling screws of the over, and then open it.	2. Disconnect the failed module from the connector.	3. Unscrew the two M4x10 screws at the ends of the failed module.
		
4. Replace the failed module with a new one.	5. Close the cover. Then fasten the screws. Maintenance finished.	

### Package Information



#### Arm-disassembled packing

Model	Carton Size (mm)	N.W. (kg)	G.W. (kg)
GL2A-1	565*535*300	6.6	8.4
GL2A-2		7.1	8.9



#### Whole-fixture packing

Model	Carton Size (mm)	N.W. (kg)	G.W. (kg)
GL2A-1	565*535*615	6.6	9.1
GL2A-2		7.1	9.6

### Ordering Information

Sample Number: GL 2A-2-100 -M1A-VAA-18-AS-3501-7040-LU-IN-T-GY

Luminary Type	Module Qty.	System Power	Driver Brand	Option of Driver	Housing Color
<b>GL</b> Garden light	<b>1</b> 1 modules	<b>40</b> 40W	<b>MO</b> MOSO	<b>T</b> Dimming	<b>BK</b> Black
<b>2A</b> 2A series	<b>2</b> 2 modules	<b>50</b> 50W	<b>MW</b> MEAN WELL	<b>[ ]</b> Non-dimming	<b>WH</b> White
		<b>60</b> 60W	<b>PH</b> PHILIPS		<b>BU</b> Blue
		<b>80</b> 80W	<b>IN</b> INVENTRONICS		<b>GY</b> Gray
		<b>100</b> 100W	<b>AD</b> ADAYO		
		<b>120</b> 120W	<b>XX</b> OTHER		

LED Module Type	Interface Type	Package Dimension of LEDs	Certification of wire	Quantity of LEDs	Connection of LEDs
<b>M1A</b> M1A module	<b>V</b> Shape	<b>A</b> 3535	<b>A</b> CCC+VDE	<b>18</b> 18pcs	<b>AS</b> All in Series
<b>M8B</b> M8B module		<b>B</b> 5050	<b>C</b> PSE	<b>28</b> 28pcs	<b>P9</b> 9 lines in parallel
<b>M16B</b> M16B module		<b>C</b> 3030	<b>H</b> UL	<b>63</b> 63pcs	<b>P14</b> 14 lines in parallel
		<b>X</b> Other	<b>X</b> OTHER		<b>P7</b> 7 lines in parallel

Lens Code			CRI	CCT	Brand of LEDs	
<b>1501</b> Type I short	M1	<b>5321</b> Type II short	M8	<b>60</b> Ra≥60	<b>30</b> 3000K	<b>LU</b> LUMILEDS
<b>3501</b> Type I short		<b>2321</b> Type II short		<b>70</b> Ra≥70	<b>40</b> 4000K	<b>CM</b> LUMILEDS (customized)
<b>3100</b> Type I short		<b>1321</b> Type III Medium		<b>80</b> Ra≥80	<b>50</b> 5000K	<b>XX</b> OTHER
<b>1810</b> Type I short		<b>1324</b> Type II short		<b>90</b> Ra≥90	<b>57</b> 5700K	
<b>3702</b> Type II Medium		<b>2201</b> Type II short				
<b>3910</b> Type III Medium	M16	<b>1107</b> Type I Short				
<b>2701</b> Type III Medium		<b>2105</b> Type II short				
<b>5703</b> Type IV Medium		<b>2109</b> Type II Medium				
<b>3040</b> Type V Square		<b>3106</b> Type II short				

### Version History

Change Date	Version	Item	Description of Change		
			From	To	
2018/03/36	Ver2.0	Datasheets release			