

# Specification : UNO Downlight (Edge-Lit)



## LED & Optical

- Output Range : 600 – 1600lm
- Photometric Options : 110 degree
- System Efficacy : up to 90LPW
- CCT : 3000K/4000K/5700K Switchable
- Operation Temp : -10 ~ 40°C

## Applications

- Commercial Building
- Convenience Store
- Office
- Household

## Electrical

- Input voltage : 220-240V
- Input Frequency : 50/60Hz
- Power Factor >0.5

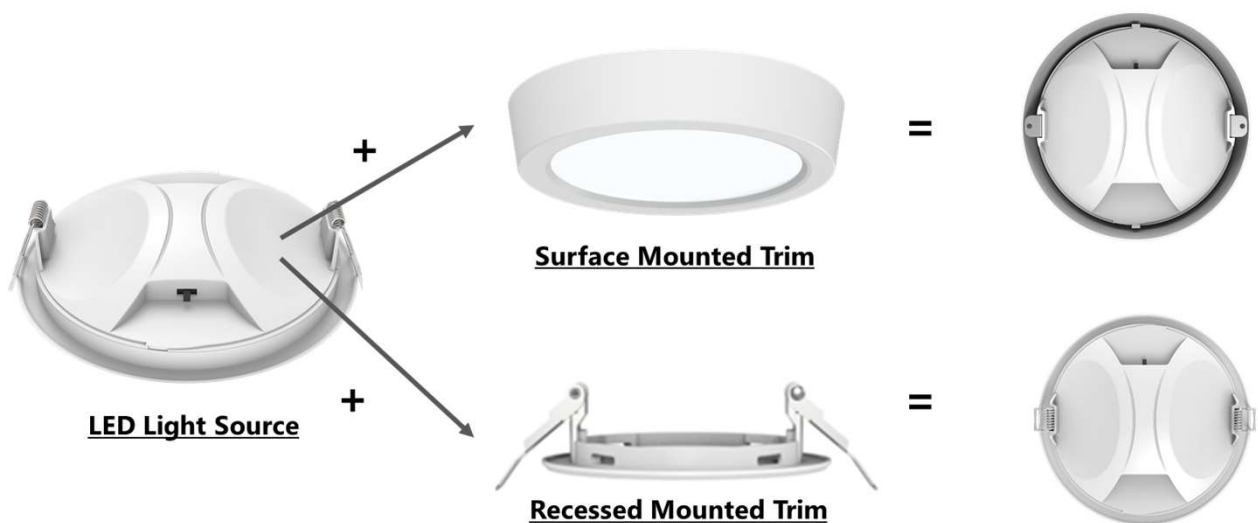
## Warranty

- Rated Life : 25khrs
- Warranty : 2 Years
- Certification : CB certified

## Order Logic:

Product ID	Sizes	CCT	Wattage	Type
UNORR - Uno Down Light Recessed Round	4D/6D/8D - 4"/6"/8"	3CCT - 3000K/4000K/5700K	7W/14W/18W	EL - Edge Lit
UNOSR - Uno Down Light Surface Round	4D/6D/8D - 4"/6"/8"	3CCT - 3000K/4000K/5700K	7W/14W/18W	EL - Edge Lit
UNLE - UNO Light Engine	4D/6D/8D - 4"/6"/8"	3CCT - 3000K/4000K/5700K	7W/14W/18W	EL - Edge Lit
UNRT - UNO Round Recessed Trim	4D/6D/8D - 4"/6"/8"			EL - Edge Lit
UNST - UNO Round Surface Trim	4D/6D/8D - 4"/6"/8"			EL - Edge Lit

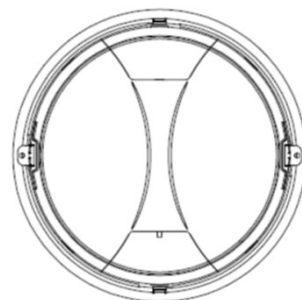
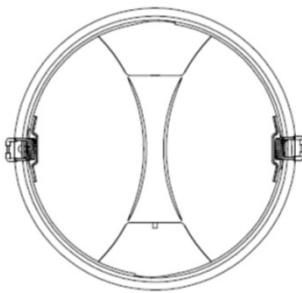
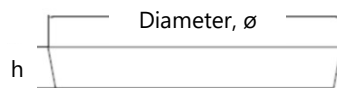
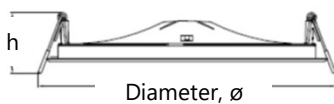
## Configuration:



# SKU# & Order Description : UNO Downlight

SKU#	Description	Watt (W)	CCT (K)	Lumens	Voltage	P.F	LPW	Beam Angle	CRI	Mounting	Dimension	Cut Out Size	Qty/Ctn
93133842	UNORR4D3CCT7W-EL	7	3CCT	600	220 - 240	> 0.5	86	110°	80	Recessed	Ø122 x 41	Ø100	10pcs/Box
93133843	UNORR6D3CCT14W-EL	14	3CCT	1300	220 - 240	> 0.5	93	110°	80	Recessed	Ø168 x 41	Ø150	10pcs/Box
93133844	UNORR8D3CCT18W-EL	18	3CCT	1600	220 - 240	> 0.5	89	110°	80	Recessed	Ø223.5 x 45.5	Ø200	10pcs/Box
93133845	UNOSR4D3CCT7W-EL	7	3CCT	600	220 - 240	> 0.5	86	110°	80	Surface	Ø112.5 x 32.5	-	10pcs/Box
93133856	UNOSR6D3CCT14W-EL	14	3CCT	1300	220 - 240	> 0.5	93	110°	80	Surface	Ø160 x 30	-	10pcs/Box
93133857	UNOSR8D3CCT18W-EL	18	3CCT	1600	220 - 240	> 0.5	89	110°	80	Surface	Ø213 x 30	-	10pcs/Box
93133858	UNOLE4D3CCT7W-EL	7	3CCT	600	220 - 240	> 0.5	86	110°	80	Module	Ø94.4 x 27.8	-	10pcs/Box
93133859	UNOLE6D3CCT14W-EL	14	3CCT	1300	220 - 240	> 0.5	93	110°	80	Module	Ø143 x 27.8	-	10pcs/Box
93133860	UNOLE8D3CCT18W-EL	18	3CCT	1600	220 - 240	> 0.5	89	110°	80	Module	Ø194 x 28.9	-	10pcs/Box
93133861	UNORT4D-EL									Recessed	Ø112.5		
93133862	UNORT6D-EL									Recessed	Ø160		
93133863	UNORT8D-EL									Recessed	Ø213		
93133864	UNOST4D-EL									Surface	Ø112.5		
93133865	UNOST6D-EL									Surface	Ø160		
93133866	UNOST8D-EL									Surface	Ø213		

## Product Dimension:



**Recessed**  
**(Edge Lit)**

**Surface Mounted**  
**(Edge Lit)**

## Photometric

