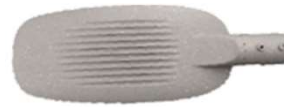


# RoadForce LED Street Lantern



## LED & Optical

- Output Range : 3000 – 20000lm
- Photometric Options : Type II
- System Efficacy : 100LPW
- CCT : 3000K/4000K @ 70CRI
- Operation Temp : -10 ~ 40°C

## Electrical

- Input voltage : 220-240 V<sub>AC</sub>
- Input Frequency :50/60Hz
- Power Factor >0.9
- IP Rated : IP65

## Construction & Finishing

- Die Cast housing with polyester powder paint, Standard colors: Grey

## Applications

- Road way
- Pathway

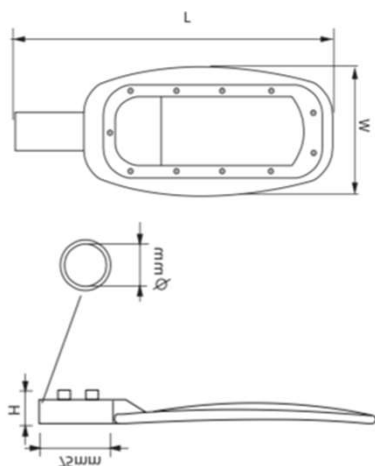
## Warranty

- Warranty : 1 Year
- Certification : CE \ CB certified

## Order Description:

Order Logic	Watt (W)	Voltage (V)	CCT (k)	Lumen (lm)	Internal SPD	P.F	Dimension (D x H)	Spigot , Ø	Lifetime (Hrs)	Qty/Ctn
RFVT1W30WA0GR0	30	220-240	3000K	3000	> 5kV	> 0.9	440 x 180 x 80	44	30k	1pcs/Box
RFVT1W50WA0GR0	50	220-240	3000K	5000	> 5kV	> 0.9	440 x 180 x 80	44	30k	1pcs/Box
RFVT1W80WA0GR0	80	220-240	3000K	8000	> 5kV	> 0.9	550 x 240 x 80	64.5	30k	1pcs/Box
RFVT1W100WA0GR0	100	220-240	3000K	10,000	> 5kV	> 0.9	550 x 240 x 80	64.5	30k	1pcs/Box
RFVT1W120WA0GR0	120	220-240	3000K	12,000	> 5kV	> 0.9	590 x 270 x 110	64.5	30k	1pcs/Box
RFVT1W150WA0GR0	150	220-240	3000K	15,000	> 5kV	> 0.9	590 x 270 x 110	64.5	30k	1pcs/Box
RFVT1W200WA0GR0	200	220-240	3000K	20,000	> 5kV	> 0.9	670 x 300 x 90	64.5	30k	1pcs/Box
RFVT1N30WA0GR0	30	220-240	4000K	3000	> 5kV	> 0.9	440 x 180 x 80	44	30k	1pcs/Box
RFVT1N50WA0GR0	50	220-240	4000K	5000	> 5kV	> 0.9	440 x 180 x 80	44	30k	1pcs/Box
RFVT1N80WA0GR0	80	220-240	4000K	8000	> 5kV	> 0.9	550 x 240 x 80	64.5	30k	1pcs/Box
RFVT1N100WA0GR0	100	220-240	4000K	10,000	> 5kV	> 0.9	550 x 240 x 80	64.5	30k	1pcs/Box
RFVT1N120WA0GR0	120	220-240	4000K	12,000	> 5kV	> 0.9	590 x 270 x 110	64.5	30k	1pcs/Box
RFVT1N150WA0GR0	150	220-240	4000K	15,000	> 5kV	> 0.9	590 x 270 x 110	64.5	30k	1pcs/Box
RFVT1N200WA0GR0	200	220-240	4000K	20,000	> 5kV	> 0.9	670 x 300 x 90	64.5	30k	1pcs/Box

## Product Dimension:



## Photometric

