

# Specifications

## Garden Light GL1A Series



### Features

- Modular pluggable technology, easy-tool onsite maintenance;
- Honeycomb briquette burning effect and the whole structure cooling technology;
- Double-coupling IP68 protection for module, highest waterproof level;
- Ergonomic lighting distribution to achieve uniform illuminating effect;
- Free serialization and various power solutions.

### Applications

- Gardens, expressways, highways, avenues, trunk roads, sub-trunk roads, paths, workshops, parks, schools, residential areas, courtyards, etc.



**Contents**

Special Technical Advantages of HPWINNER Modular Lights.....3

Electrical and Photometric Specification.....4

Mechanical and Environmental Specification.....4

Lighting Distribution.....4

Dimensions.....4

Assembly.....5

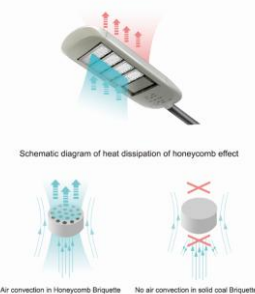
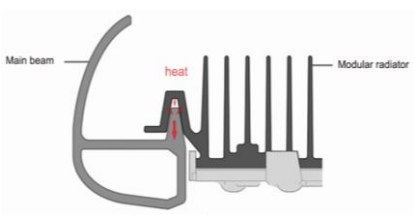

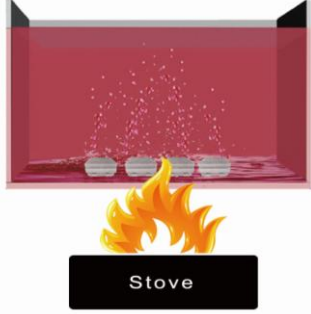


Installation.....5

Maintenance.....5

Ordering Information.....5



**Special Technical Advantages of HPWINNER Modular Lights**

 <p><b>Honeycomb Briquette effect</b>          It simulates and adopts the burning principle of honeycomb briquette; it is easy to transform the original block of radiator to various modules, as well as to enable air to convect and fully pass through the gaps between modules by utilizing the honeycomb effect, thus to remove the heat rapidly, and reduce temperature by around 20 °C.</p>	 <p><b>Heat dissipation of the whole structure</b>          It is available to make clever use of module bracket that only play a supporting role, and to transform it to a "thermal bracket" that is capable of conducting the module's heat to the light shell as a structural part, thus to promote the cooling effect of radiator of cooling module, the design aims to fully utilize the surface area of structural parts to transfer heat to air.</p>	 <p><b>Easy-tool maintenance</b>          It uses special structural design to achieve the manual disassembly and installation of lighting components, in consideration that the high-power lights are generally installed in higher operating environment, the operators require as few tools as possible for their convenience and security.</p>
 <p><b>Double-coupling IP68 protection</b>          It adopts the screw-free structure to avoid the penetration of water vapor through the screw hole; its double silicon-rubber rings insulate LEDs with the outside environment completely, thus to eliminate any erosion to chips and PCB boards from outside.</p>	 <p><b>LUXEON T</b>          A bright, versatile and high efficacy emitter</p> <p><b>High-efficacy LED Light source</b>          It adopts Lumileds LUXEON T LED source with super efficacy and light output from a compact source. Optimized for efficacy driven applications with typical Vf: 2.7V and low thermal resistance: 3K/W. Specified, targeted and tested hot, at real world operating temperatures, Tj=85°C to ensure in-application performance.</p>	 <p><b>Free Serialization</b>          It is available to freely equip with different numbers of modules to achieve different powers as required.</p>

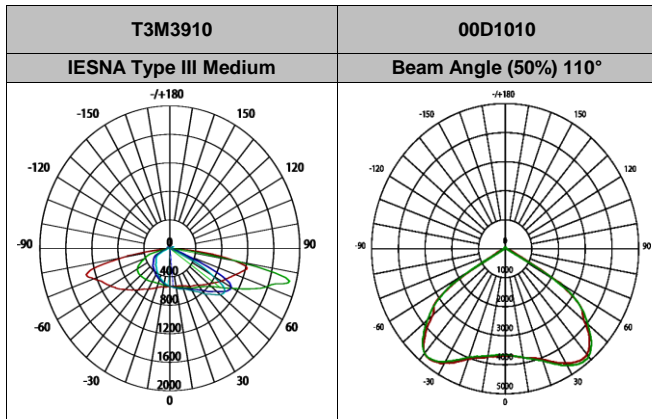
**Electrical and Photometric Specification**

Model	Input Voltage (V)	Driving Current (mA)	Power (W)	Luminous Efficacy (lm/W)	Flux (lm)	Power Factor	Power Efficiency	Beam Angle	LED Brand	CCT (K)	CRI
GL1A-1	AC100-277	700	30	105±5	3150±150	0.95	89%	Type III, 110°	Lumileds Luxeon T	3000,4000, 5000,5700	>70
			35	105±5	3675±175						
			40	105±5	4200±200						
		860	45	100±5	4500±225	0.95	89%	Type III, 110°	Lumileds Luxeon T	3000,4000, 5000,5700	>70
			50	100±5	5000±250						
		1050	60	95±5	5700±300	0.95	89%	Type III, 110°	Lumileds Luxeon T	3000,4000, 5000,5700	>70

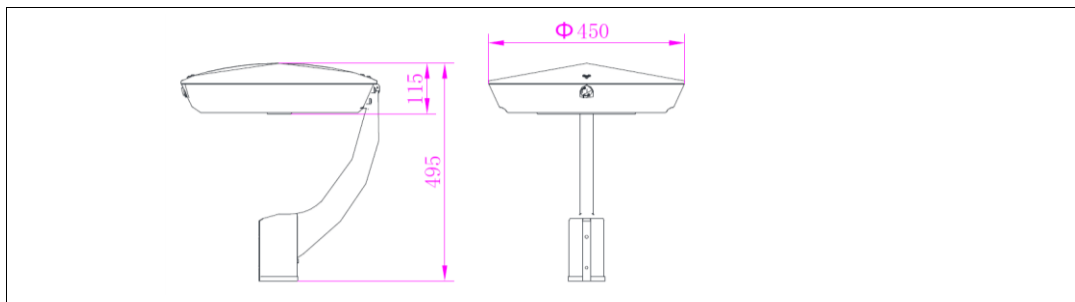
**Mechanical and Environmental Specification**

Model	Working Environment	Storage Temperature	Lumen Maintenance (h)	Housing Material	Pole Diameter (mm)	Product Size (mm)	Packing Size (mm)	N.W (kg)	G.W (kg)
GL1A-1	-40℃~+50℃, 10%~90%RH	-40℃~+50℃	>50000	Aluminum Alloy	57-63	450*442*495	615*595*210	5.32	7.12

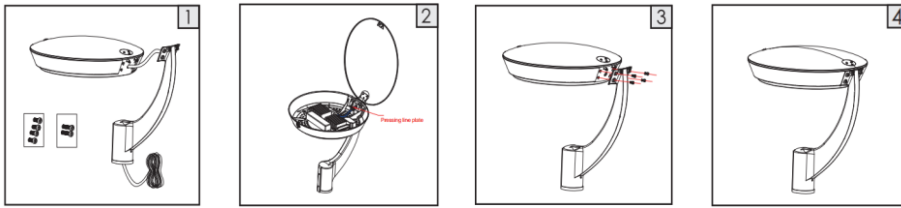
**Lighting Distribution**



**Dimensions**

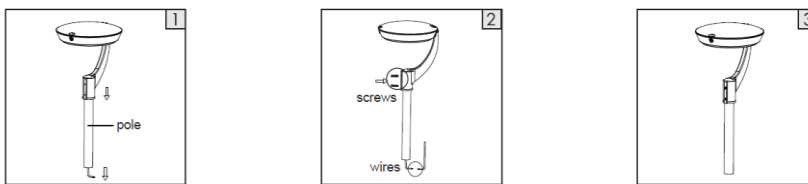


### Assembly



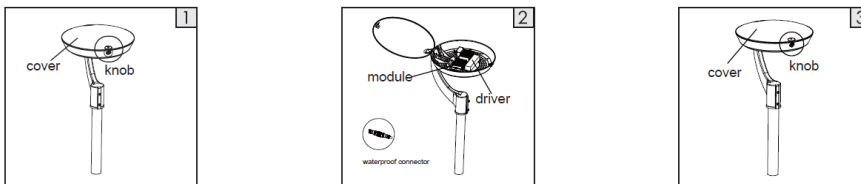
- Step 1:** Open the carton and check the following supplies: M5x20 hexagonal socket screws - 4 pcs/bag; M8x40 hexagonal socket screws - 2 pcs/bag; Luminary casing part - 1 set; Bent arm - 1 set;
- Step 2:** Open the cover of the luminary, loosen the screws on the pressing line plate, and pull the cable from the bent arm into the casing. Then tighten up the screws on the pressing line plate;
- Step 3:** Fix the bent arm to the luminary casing with 4 hexagonal socket screws (M5x20);
- Step 4:** Assembly finished.

### Installation



- Step 1:** Make the input wires pass through the pole and then fix the lamp on the pole;
- Step 2:** Insert 2 screws at the joint part and tighten them up. Then connect the input wires to the AC wires;
- Step 3:** Installation finished.

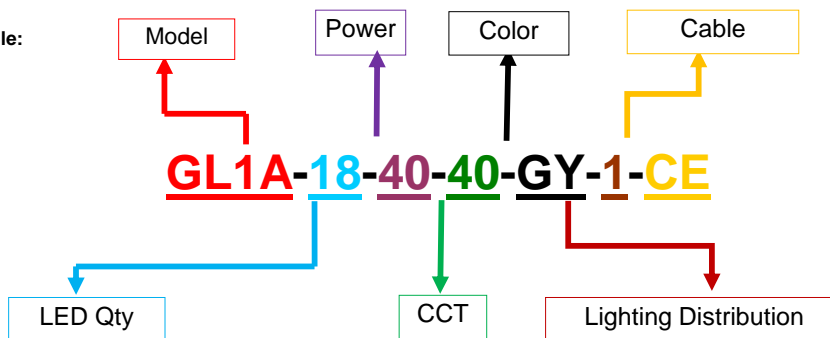
### Maintenance



- Step 1:** Switch the knob to the unlock state(as marked on the knob);
- Step 2:** Replace the failed module(s)/driver with qualified one(s) by operating the screws and the waterproof connectors;
- Step 3:** Close the cover and switch the knob to the lock state.

### Ordering Information

For Example:



Model	LED Qty	Power	CCT	Color	Lighting Distribution	Cable
GL1A	14	30	30=3000K 40=4000K 50=5000K 57=5700K	GY=Grey	1=T3M1910 2=00D1010	GB=Chinese Standard CE=European Standard UL=North American Standard
	16	35				
	18	40				
		45				
		50				
		60				