

LUM – Technical Information

OSRAM PUNCTOLED DL® 150 3000K
OSRAM PUNCTOLED DL® 150 4000K



OSRAM PUNCTOLED DL® 200 3000K
OSRAM PUNCTOLED DL® 200 4000K



The OSRAM PUNCTOLED® DL allow the direct replacement of traditional CFL-downlights with 1x26 and 2x26W. Their high efficiency and long lifetime allows high energy savings and a quick return on investment. PUNCTOLED® DL are the perfect solution for corridors, stairways and restrooms.

Tender text

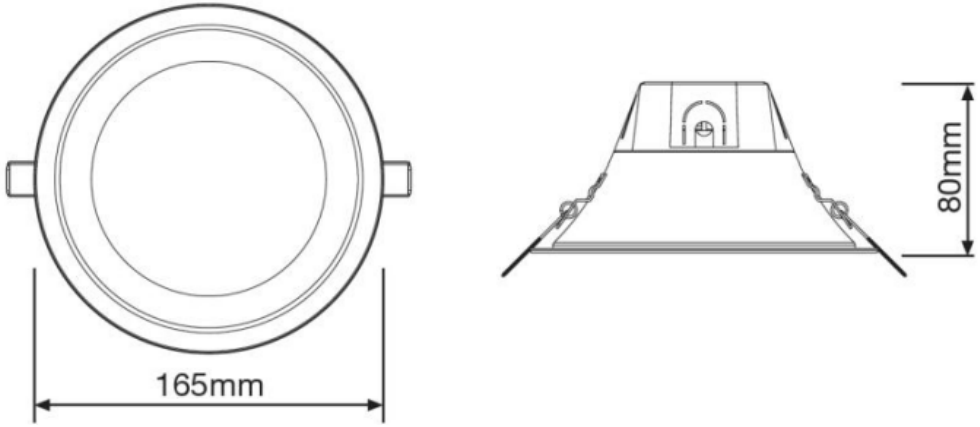
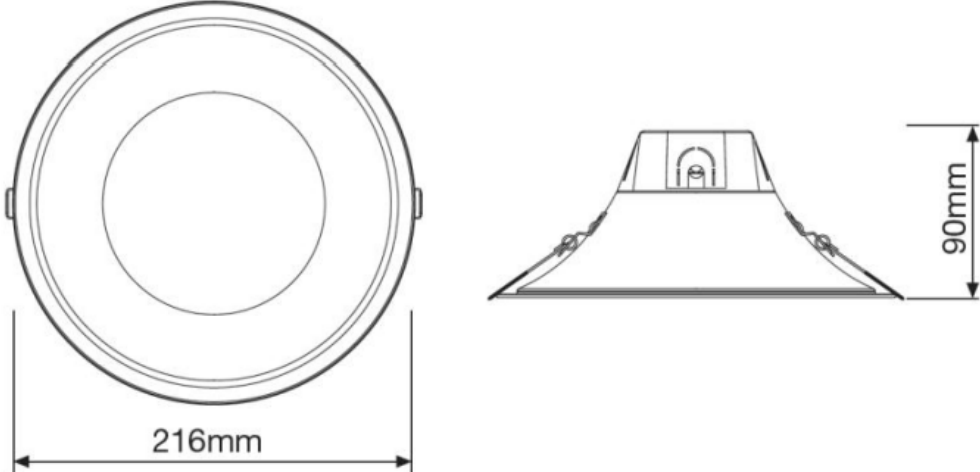
- Direct replacement of 1x26W, 2x26W CFL-downlights (dimension & lumen output)
- Diffuse optics
- Direct connection to mains thanks to the integrated driver
- Suitable for recessed ceilings and concrete boxes with and without tunnel

Table of contents:

Tender text	1
A) Technical Information.....	3
1) Housing, Mounting and Accessories	3
2) Electrical Installation	4
3) Optical features	5
4) Control	6
B) Logistic Data	7

A) Technical Information

1) Housing, Mounting and Accessories

Product name	OSRAM PUNCTOLED® DL 150 3000K	OSRAM PUNCTOLED® DL 150 4000K	OSRAM PUNCTOLED® DL 200 3000K	OSRAM PUNCTOLED® DL 200 4000K
Body material	Aluminum			
Color of the luminaire (RAL)	White RAL 9016			
Cover material	PP			
Type of cover	Diffuser			
Reflector material	---			
Symmetry	Round			
Adjustable	No			
Dimensions LxBxH [mm]	Ø 165 x 80	Ø 165 x 80	Ø 216 x 90	Ø 216 x 90
	<p>OSRAM PUNCTOLED® DL 150</p>  <p>OSRAM PUNCTOLED® DL 200</p> 			

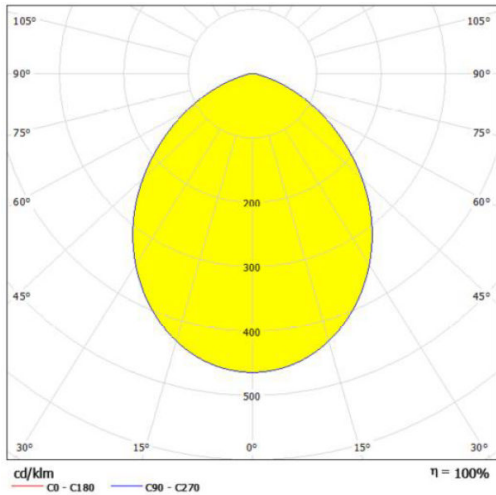
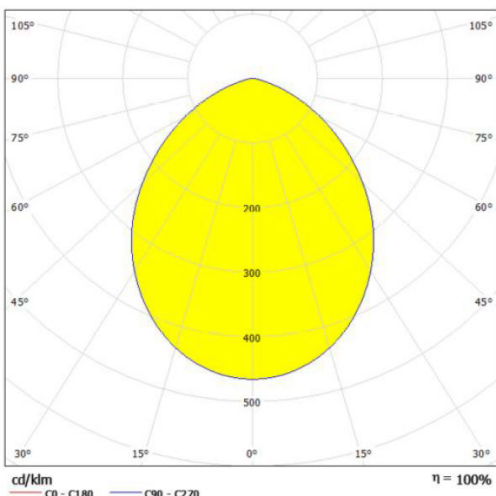
Mounting type	Recessed			
Mounting hole [mm]	Ø 150	Ø 150	Ø 200	Ø 200
Installation height [mm]	110	110	120	120
Ceiling thickness [mm]	2 - 20	2 - 20	2 - 20	2 - 20
Net weight [g]	188	188	234	234
Protection class	I			
Type of protection (IP code)	20			
Protection against ignition and fire	F			
Shock resistance (IK code)	---			
Load-bearing capacity	---			
Ambient temperature [°C]	-20...40			
Storage temperature [°C]	-20...80			
Body temperature [°C]	≤ 60			
Luminaire efficiency [lm/W]	80	85	83	87
Power factor	≥ 0,9			
Approval marks	CE			
Environment	RoHS			

2) Electrical Installation

- Connection with mains power in accordance with national regulations

Product name	OSRAM PUNCTOLED® DL 150 3000K	OSRAM PUNCTOLED® DL 150 4000K	OSRAM PUNCTOLED® DL 200 3000K	OSRAM PUNCTOLED® DL 200 4000K
Nominal/Rated wattage [W]	13	13	23	23
Mains voltage [V]	220...240	220...240	220...240	220...240
Rated current [mA]	61	61	105	105
Mains frequency [Hz]	50 / 60			
Suitable cable types for primary side	H03VV-F 3x0,75 mm ² NYM-J 3x0,75 mm ² NYM-J 3x1 mm ² NYM-J 3x1,5 mm ²			
Type of connection	Terminal block with cable clamp			

3) Optical features

Product name	OSRAM PUNCTOLED® DL 150 3000K	OSRAM PUNCTOLED® DL 150 4000K	OSRAM PUNCTOLED® DL 200 3000K	OSRAM PUNCTOLED® DL 200 4000K
Lights source	LED	LED	LED	LED
Number of lighting outlets	11	11	20	20
Lifetime LED [h]	30000	30000	30000	30000
Light color	Warm white	Neutral white	Warm white	Neutral white
Color temperature [K]	3000 ± 150	4000 ± 150	3000 ± 150	4000 ± 150
Color rendering index (CRI)	≥ 80	≥ 80	≥ 80	≥ 80
Beam angle [°]	95	95	95	95
Luminous flux [lm]	1050 ± 100	1100 ± 100	1900 ± 100	2000 ± 100
Luminous intensity distributions	<p style="text-align: center;">OSRAM PUNCTOLED® DL 150</p>  <p style="text-align: center;">OSRAM PUNCTOLED® DL 200</p> 			

4) Control

Product name	OSRAM PUNCTOLED® DL 150 3000K	OSRAM PUNCTOLED® DL 150 4000K	OSRAM PUNCTOLED® DL 200 3000K	OSRAM PUNCTOLED® DL 200 4000K
Ballast / Control gear	Integrated ECG			
Communication interface	---			
Permissible sinusoidal operating voltage [V _{AC}]	220...240			
Secondary voltage [V _{OUT}]	Max. 50 V			
Color control	---			
Through-wiring	---			
Dimmable	---			
Dimmable interface	---			

B) Logistic Data

Product reference	EAN 10	EAN 40	SU	Color
OSRAM PUNCTOLED® DL 150 3000K	4052899934122	4052899934191	18x1	White
OSRAM PUNCTOLED® DL 150 4000K	4052899934139	4052899934207	18x1	White
OSRAM PUNCTOLED® DL 200 3000K	4052899934146	4052899934214	12x1	White
OSRAM PUNCTOLED® DL 200 4000K	4052899934153	4052899934177	12x1	White